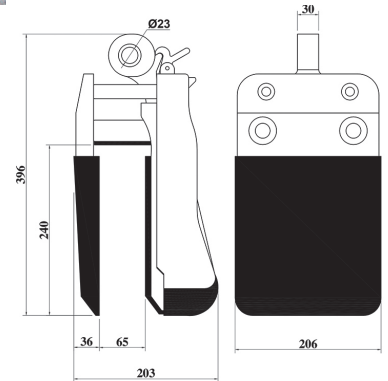
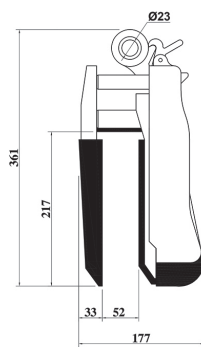
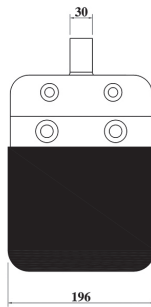
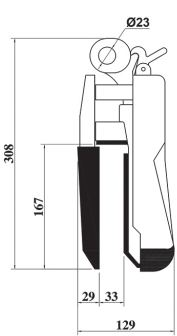




PINZE **CAIMAN** per MARMO

STONE CLAMP CAIMAN



STONE CLAMP CAIMAN 30

Pinze per sollevamento lastre in Marmo, Granito, Quarzo, Porcellana. Ideale per utilizzo su materiali fragili. Minimo ingombro per inserimento tra le varie lastre.

Spessore di presa: 0-30 mm

Lifting clamps for marbles, granite, stone, quartz, porcelain, etc.. Compact, safe, potent and makes special for stone. Reduce distances when lifting slabs. For lifting 0 to 30 mm. thick material. Max. 1200 kg.

Delivery date: More than 4 weeks

This product is in this section: Stone lifting clamps

STONE CLAMP CAIMAN 50

Pinze per sollevamento lastre in Marmo, Granito, Quarzo, Porcellana. Ideale per utilizzo su materiali fragili. Minimo ingombro per inserimento tra le varie lastre.

Spessore di presa: 10-50 mm

Lifting clamps for marbles, granite, stone, quartz, porcelain, etc.. Compact, safe, potent and makes special for stone. Reduce distances when lifting slabs. For lifting 10 to 50 mm. tick material. Max. 1200 kg.

Delivery date: More than 4 weeks

This product is in this section: Stone lifting clamps

STONE CLAMP CAIMAN 60

Pinze per sollevamento lastre in Marmo, Granito, Quarzo, Porcellana. Ideale per utilizzo su materiali fragili. Minimo ingombro per inserimento tra le varie lastre.

Spessore di presa: 15-60 mm

Lifting clamps for marbles, granite, stone, quartz, porcelain, etc.. Compact, safe, potent and makes special for stone. Reduce distances when lifting slabs. For lifting 15 to 60 mm. Max. 1200 kg.

Delivery date: immediate delivery

This product is in this section: Stone lifting clamps



CIT SERVICE S.R.L.

Via A. Clarena, 15/D - 06034 Foligno (PG)

sede operativa via dei Mestieri n. 5/A - 47822 Santarcangelo di Romagna (RN) Italy

tel. +39 0541 625758

www.citservice.eu - citservice@citservice.eu